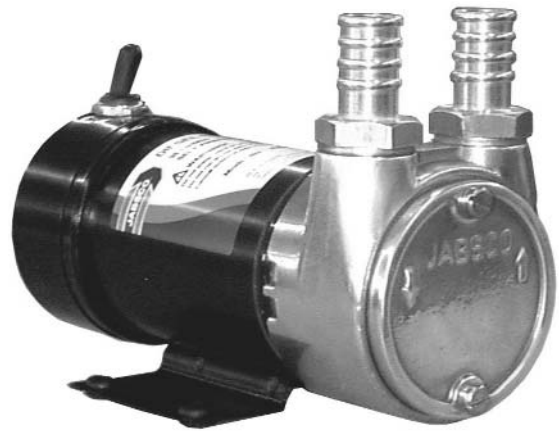


23870 12/24V Fuel Transfer Pump

Features

- Faster refuelling - 35 litres/minute (9.5 U.S.GPM).
- High head capability - 6 metres (19 feet).
- Self priming up to 2.8 metres (9 feet).
- Vibration tested.
- IP55 protected motor.
- Full range of installation accessories.
- Customised kits for OEM customers.



Typical Applications

- Designed for refuelling small sizes diesel powered vehicles [typical tank sizes up to 200 litres (50 U.S. gallons)] from drums.
- Suitable for mounting to the following equipment: Excavators, Cranes, Road rollers (compactors), Pavers, Agricultural machines, Generators, Helicopters.
- Suitable for diesel fuel, Kerosene, Paraffin, Hydraulic oils, Oils up to 150 centi Stokes (750 Saybolt Universal) viscosity.

Specifications

Temperature Range : -30°C to +40°C (-22°F to +104°F)

Pump Body : Aluminium

Rotor : Vectra

Vanes : PTFE Filled Ryton

Shaft : Steel

Seal : Nitrile Lip Seal

Ports : Vertical ½" BSP or 19mm hose adaptors (¾")

Motor : 12V or 24V DC permanent magnet, corrosion resistant IP55 protected

Duty : 25 mins @ +40°C (104°F)

Model Range

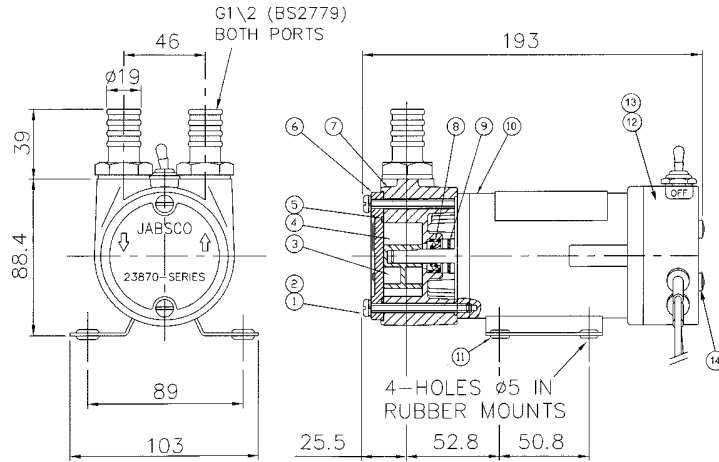
Model number	Description
23870-2200	½" BSP parallel internal ports, 12v DC, switch
23870-2300	½" BSP parallel internal ports, 24v DC, switch
23870-1200	19mm (¾") O/D Hose ports, 12v DC, switch, fuse
23870-1300	19mm (¾") O/D Hose ports, 24v DC, switch, fuse
23870-1600	19mm (¾") O/D Hose ports, 24v DC, switch, fuse, check valve, suction strainer
Accessories	
23533-1000	Straight Hose Adaptors
23533-1100B	Straight Hose Adaptors (Kit of 2 including sealing washers)
X5020-003	90° Hose Adaptors
23735-0010B	Check Valve kit
23736-0000B	Foot Valve kit
23732-0000	Suction strainer 300 micron
23531-0001G	Hose - 19mm (¾") bore - per metre

WARNING Explosion hazard. Do not pump gasoline, solvents, thinners or other flammable liquids. To do so can cause an explosion resulting in injury or death.

JABSCO®

23870 Diesel Refuelling Pump

12/02



Dimensions in mm

Parts List

Key	Description	Qty	Part No.
1	Screw	2	X3001-167F
2	Spring Washer	2	X3081-081F
3	Rotor*	1	45714-0000
4	Vane*	5	45716-0100
5	O-Ring*	1	X1990-131
6	Endcover	1	23875-0050
7	Body	1	23874-2050
8	Seal*	1	SP2701-52
9	Slinger*	1	6342
10	Motor with	12 Volt	1 98012-9299B
	Switch & Fuse	24 Volt	1 98012-9300B
	Motor Basic	24 Volt	1 98012-9301B
11	Grommet	4	SP2900-12
12	Fuse (Pack 10)	12V/20A	1 92005-6020B
		24V/10A	1 92005-6010B
13	Switch Box Assembly	1	96070-6020B
14	Screw (Pack 10)	2	91046-6001B
Service kit contains items marked *			SK399-0101

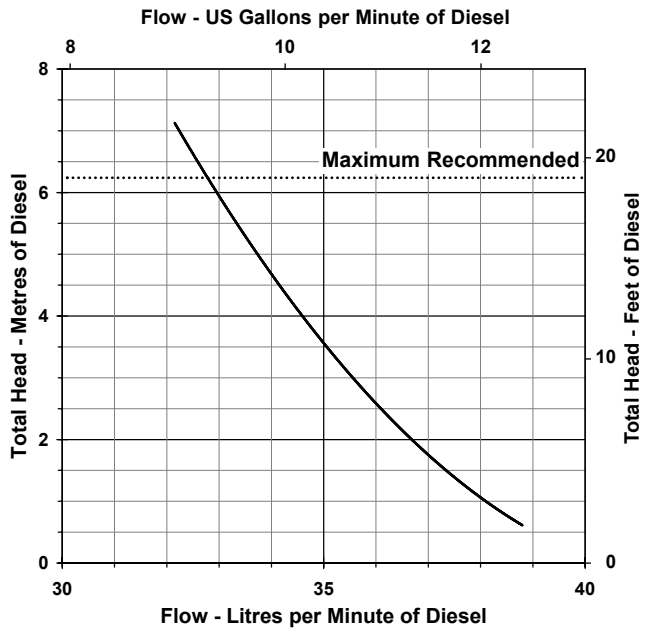
Note

All performance information is based on diesel fuel at 0°C (68°F). On production product, this may vary by up to 10%. Maximum recommended total head of diesel fuel is 6 metres.

Safety

Do not use for pumping petrol, gasoline or products with a flash point below 37°C (99°F). Do not dry run.

Performance



Current Draw 12V = 15 Amps @ 3m head
24V = 7 Amps @ 3m head

Maximum Current 12V = 20 Amps
24V = 10 Amps

Jabsco



ITT Industries

USA

Jabsco
20 Icon
Foothill Ranch
CA 92610

Tel : +1 949 609 5106
Fax : +1 949 859 1254

UK

Jabsco
Bingley Road
Hoddesdon
Hertfordshire, EN11 0BU

Tel : +44 (0) 1992 450 145
Fax : +44 (0) 1992 467 132

GERMANY

Jabsco GmbH
Oststraße 28
22844 Norderstedt

Tel : +49 (0) 40 53 53 73 0
Fax : +49 (0) 40 53 53 73 11